

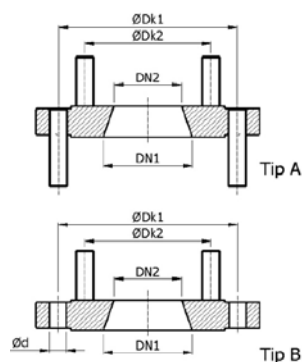
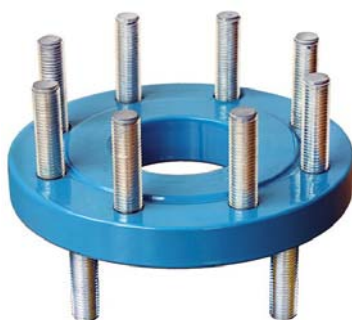
## PRELAZNA PRIRUBNICA



Materijal: Čelik

Zaštita: Plastifikacija epoxy prahom min. debljine 250 µm

Nominalni pritisak: NP 10/16 bar



| Šifra   | DN      | Tip | ØDk1 | broj | Vijci     | Ød | ØDk2 | broj | Vijci     | Težina(kg) |
|---------|---------|-----|------|------|-----------|----|------|------|-----------|------------|
| 3600902 | 65/ 50  | A   | 145  | 4    | M 16 x 70 | —  | 125  | 4    | M 16 x 70 | 2.9        |
| 3600903 | 80/ 40  | A   | 160  | 8    | M 16 x 70 | —  | 110  | 4    | M 16 x 70 | 3.7        |
| 3600903 | 80/ 50  | A   | 160  | 8    | M 16 x 70 | —  | 125  | 4    | M 16 x 70 | 3.8        |
| 3600903 | 80/ 65  | A   | 160  | 8    | M 16 x 70 | —  | 145  | 4    | M 16 x 70 | 3.8        |
| 3600903 | 80/ 80  | A   | 160  | 160  | M 16 x 70 | —  | 160  | 8    | M 16 x 70 | 3.8        |
| 3600904 | 100/ 40 | A   | 180  | 8    | M 16 x 70 | —  | 110  | 4    | M 16 x 70 | 4.2        |
| 3600904 | 100/ 50 | A   | 180  | 8    | M 16 x 70 | —  | 125  | 4    | M 16 x 70 | 4.2        |
| 3600904 | 100/ 65 | A   | 180  | 8    | M 16 x 70 | —  | 145  | 4    | M 16 x 70 | 4.2        |
| 3600904 | 100/ 80 | A   | 180  | 8    | M 16 x 70 | —  | 160  | 4    | M 16 x 70 | 4.2        |
| 3600912 | 125/ 40 | B   | 210  | 8    | —         | 19 | 110  | 4    | M 16 x 70 | 5.6        |
| 3600912 | 125/ 65 | A   | 210  | 8    | M 16x 70  | —  | 145  | 4    | M 16 x 70 | 5.7        |
| 3600912 | 125/ 80 | A   | 210  | 8    | M 16 x 70 | —  | 160  | 8    | M 16 x 70 | 5.7        |
| 3600912 | 125/100 | A   | 210  | 8    | M 16 x 70 | —  | 180  | 8    | M 16 x 70 | 5.7        |
| 3600905 | 150/ 50 | B   | 240  | 8    | —         | 23 | 125  | 4    | M 16 x 70 | 6.7        |
| 3600905 | 150/ 65 | B   | 240  | 8    | —         | 23 | 145  | 4    | M 16 x 70 | 6.7        |
| 3600905 | 150/ 80 | B   | 240  | 8    | —         | 23 | 160  | 8    | M 16 x 70 | 6.7        |
| 3600905 | 150/100 | A   | 240  | 8    | M 20 x 70 | —  | 180  | 8    | M 16 x 70 | 6.8        |
| 3600905 | 150/125 | A   | 240  | 8    | M 20 x 70 | —  | 210  | 8    | M 16 x 70 | 6.8        |
| 3600906 | 200/ 50 | B   | 295  | 8    | —         | 23 | 125  | 4    | M 16 x 70 | 9.2        |
| 3600906 | 200/ 65 | B   | 295  | 8    | —         | 23 | 145  | 4    | M 16 x 70 | 9.2        |
| 3600906 | 200/ 80 | B   | 295  | 8    | —         | 23 | 160  | 8    | M 16 x 70 | 9.2        |
| 3600906 | 200/ 80 | B   | 295  | 12   | —         | 23 | 160  | 8    | M 16 x 70 | 9.2        |
| 3600906 | 200/100 | B   | 295  | 8    | —         | 23 | 180  | 8    | M 16 x 70 | 9.3        |
| 3600906 | 200/100 | B   | 295  | 12   | —         | 23 | 180  | 8    | M 16 x 70 | 9.3        |
| 3600906 | 200/125 | B   | 295  | 8    | —         | 23 | 210  | 8    | M 16 x 70 | 9.3        |
| 3600906 | 200/150 | A   | 295  | 8    | M 20 x 70 | —  | 240  | 8    | M 20 x 70 | 9.4        |
| 3600906 | 200/150 | A   | 295  | 12   | M 20 x 70 | —  | 240  | 8    | M 20 x 70 | 9.4        |

Napomena: Veće prečnike proizvodimo na zahtev kupca