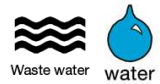
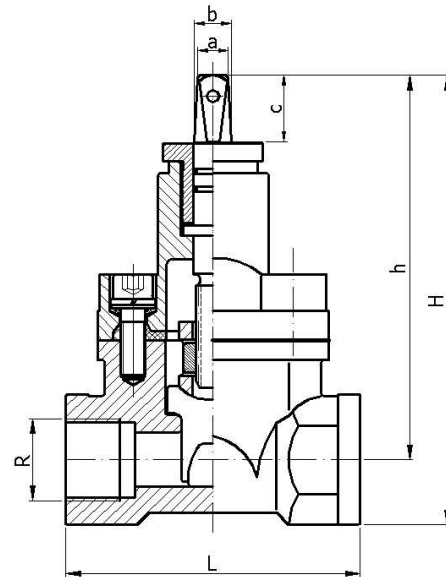


SERVICE VALVE WITH FEMALE THREAD - STRAIT TYPE



Material: Ductile iron GJS-400 (GGG40)
 Protection: Fluidized bed epoxy powder coating
 Nominal pressure: PN 10/16 bar



Code	DN	R	Service valve			Spindle			Weight (kg)
			H (mm)	h (mm)	L (mm)	a (mm)	b (mm)	c (mm)	
2000002	20	¾"	180	155	120	12	15	28	2.9
2000003	25	1"							2.8

Technical data:

Construction of valve body and closing elements is realized, with opening and closing face of joint, which are not causing lower friction and they do not wear away, that give an gate a long lifetime. External protection is realized so that a gate is proper also, for underground incorporation.

Spindle is made from stainless steel with rolled and burnished thread, multiple gasket with o-ring sealing, wedge rubberized with elastomer, free crossing prevents collecting sediments in a valve.