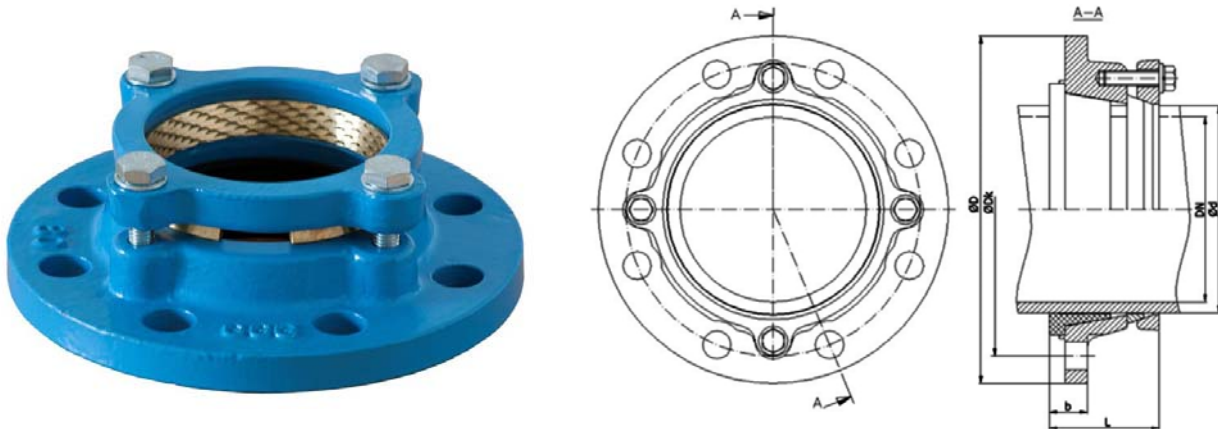


## FLANGE ADAPTERS FOR PE AND PVC PIPES - RESTRAIN TYPE



Material: Ductile cast iron GJS  
 Protection: Fluidized bed epoxy powder coating  
 Nominal pressure: PN 10/16 bar



Code	DN	Pipe diameter Ød (mm)	ØD (mm)	ØDk (mm)	L (mm)	b (mm)	Bolts for		Weight (kg)
							Bolts number (n)	M	
2301003	80	90	200	160	78	25	8	16	4
2301004	100	110	220	180	78	25	8	16	5
2301005		125							4.8
2301007	150	160	285	240	80	22	8	20	10.2
2301008		180			80	22	8	20	10.4
2301009	200	200	340	295	95	30	8	20	15.3
2301010		225			108	26	8	20	13.6
2301015	250	250	395	350	110	30	12	24	17.6
2301014		280			113	30	12	24	18.8
2301011	300	315	445	400	150	30	12	24	27
2301012	350	355	505	460	170	35	16	24	39
2301013	400	400	565	515	180	35	16	24	56

**Technical data:**

The restrain system is independent of the seal and is established by the lock ring. Easy installation. Installation is possible in all weather conditions.