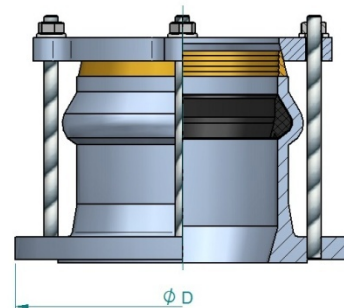
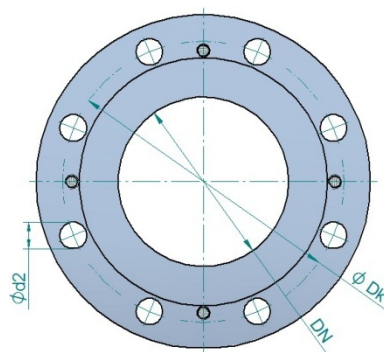


## FLANGE ADAPTER FOR PE/PVC PIPES LONG TYPE WITH BRASS RING RESTRAIN



Material: Ductile cast iron GJS  
 Protection: Fluidized bed epoxy powder coating  
 Nominal pressure: PN 10/16 bar



	Code	2410001	2410002	2410003	2410004	2410005	2410006	2410007	2410008	2410009
PN (bar)	DN	50	65	80	100	125	150	200	250	300
10 / 16	OD cevi	63	75	90	110	140	160	225	280	315
	$\phi D$	165	185	200	220	250	285	340	400/400	455/455
	$\phi Dk$	125	145	160	180	210	240	295	350/355	400/410
	n (kom)	4	4	8	8	8	8	8/12	12	12
	$\phi d2$	19	19	19	19	19	23	23	23/28	23/28

Remarks: Dimension u mm

### Technical data:

The deep flange adapter allows tightly connection to PVC / PE pipes.  
 The pipe fitting is provided with a brass clamping ring so that the connection from the extraction from the body is additionally secured.