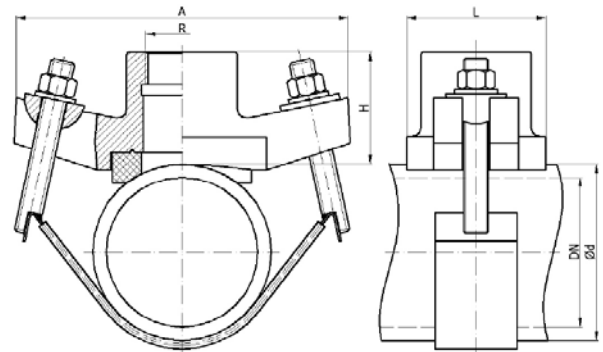


# SADDLES WITH FEMALE THREAD OUTLET AND STRAP FOR STEEL, DCI AND AZ PIPES



Material: Ductile cast iron GJS / Stainless steel  
 Protection: Fluidized bed epoxy powder coating  
 Nominal pressure: PN 10/16 bar

Code	PN (bar)	DN	H	A	L	R	Weight (kg)
2201303T	10	80	72	212	92	1"	3,5
2201503T						1 1/4"	3,5
2200903T						1 1/2"	3,4
2201003T						2"	3,4
2201304T	10	100	72	212	92	1"	3,5
2201504T						1 1/4"	3,5
2200904T						1 1/2"	3,4
2201004T						2"	3,4
2201306T	10	150	72	212	92	1"	3,6
2201506T						1 1/4"	3,6
2200906T						1 1/2"	3,5
2201006T						2"	3,5
2201307T	10	200	72	212	92	1"	3,6
2201507T						1 1/4"	3,6
2200907T						1 1/2"	3,5
2201007T						2"	3,5
2201308T	10	250	72	212	92	1"	3,8
2201508T						1 1/4"	3,8
2200908T						1 1/2"	3,6
2201008T						2"	3,6
2201309T	10	300	72	212	92	1"	4
2201509T						1 1/4"	4
2200909T						1 1/2"	3,7
2201009T						2"	3,7
2201310T	10	350	72	212	92	1"	4,1
2201510T						1 1/4"	4,1
2200910T						1 1/2"	3,8
2201010T						2"	3,8
2201311T	10	400	72	212	92	1"	4,3
2201511T						1 1/4"	4,3
2200911T						1 1/2"	4,0
2201011T						2"	4,0
2201312T	10	450	72	212	92	1"	4,5
2201512T						1 1/4"	4,5
2200912T						1 1/2"	4,2
2201012T						2"	4,2
2201313T	10	500	72	212	92	1"	4,7
2201513T						1 1/4"	4,7
2200913T						1 1/2"	4,4
2201013T						2"	4,4



**Technical data:**

Drilling saddles with female thread and strap is used for water supply in individual houses connection in waterworks pipelines. The drilling saddles features outstanding sealing, easy maintenance and long life. It is used also for mounting on steel, DCI and AZ pipes. Dimensions of drilling saddles are calibrated to the outside pipe diameter of steel, DCI and AZ pipes. Sealing of drilling saddle made from EPDM (NBR) rubber with two o-ring. All drilling saddles has strap of stainless steel with rubber from inside.