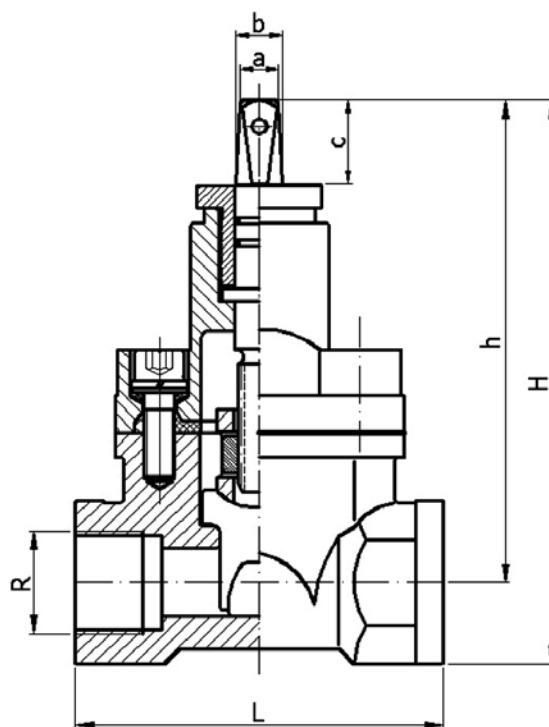


SERVICE VALVE WITH FEMALE THREAD - STRAIT TYPE



Material: Ductile cast iron GJS
 Protection: Fluidized bed epoxy powder coating
 Nominal pressure: PN 10/16 bar



Code	DN	R	Valve			Spindle			Weight (kg)
			H (mm)	h (mm)	L (mm)	a (mm)	b (mm)	c (mm)	
2000002	20	¾"	180	155	120	12	15	28	2.9
2000003	25	1"							2.6

Technical data:

Construction of valve body and closing elements is realized, with opening and closing face of joint, which not causing lower friction and they do not wear away, that give an valve a long lifetime. External protection is realized that a gate is proper also for underground incorporation. Spindle is made from stainless steel with rolled and burnished thread, multiple gasket with o-ring sealing, wedge rubberized with elastomer, free crossing prevents collecting sediments in a valve.